



**Más de 40 años de experiencia  
ayudando a crecer a nuestros  
socios comerciales.**

Somos el proveedor líder de equipo  
y materias primas.



[ventas@refriandrade.com.mx](mailto:ventas@refriandrade.com.mx)



+52 55 3436 5020



Calle Acacia #121,  
Col. Las Flores,  
Ciudad Nezahualcoyotl,  
Estado de México C.P. 57310

**REFRIANDRADE**  
[www.refriandrade.com.mx](http://www.refriandrade.com.mx)

# Máquinas

## Unidades condensadoras



Los mejores equipos,  
ahorros importantes en  
costos de mantenimiento  
y limpieza.

Gran durabilidad  
y calidad.

# MAQUINA DE 1 1/4, 2 1/2, 3 3/4 y 5 hp.



*Tecumseh*

**Equipos toma bifasicas o trifasicas. Alto rendimiento y ahorro de energía.**

**Opcional austeras o equipadas.**

**Motor del ventilador de alta eficiencia tipo psc.**

**Serpentin del ventilador tipo cross hatch.**

**Guarda ventilador para mayor seguridad. Aplicación de alta/media y baja temperatura.**

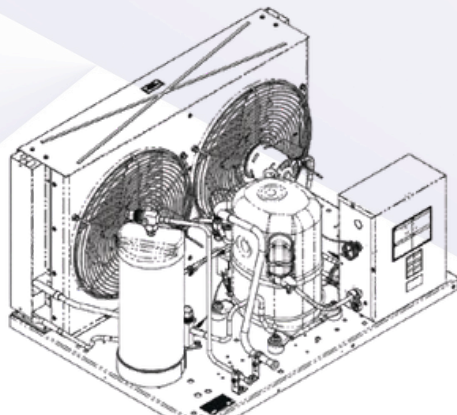
Unidades hermeticas, no hacen ruido. Operan con Gas R- 404 ecologico ,no daña la capa de ozono dando un mejor rendimiento. Cumplen con normas internacionales UL, CSA y Us Sanitation. Bifasicas o trifasicas. Alto rendimiento y ahorro de energía. Opcional austeras o equipadas. Motor del ventilador de alta eficiencia tipo psc. Serpentin del ventilador tipo cross hatch. Guarda ventilador para mayor seguridad. Aplicación de alta/media y baja temperatura.



REFRIANDRADE  
[www.refriandrade.com.mx](http://www.refriandrade.com.mx)



# Model: AWA2457ZXDXK



## Product Description

<b>Application:</b>	LBP - Low Back Pressure
<b>Refrigerant:</b>	R-404A
<b>Voltage/Frequency:</b>	208-230V - 60Hz

## Product Specifications

### Electrical

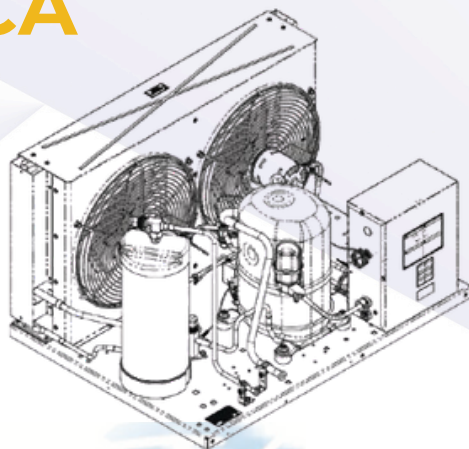
Locked Rotor Amps (LRA):	56
Rated Load Amps (RLA 60 Hz):	9.4
Relay Type:	Potential Relay

Compressor Bill of Material:	AW615RT-099-A2
Condenser:	50855-1
Contactor:	91014
Control Panel:	AC1460-25
Disconnect:	90102
Fan Blade:	51568-1
Fan Guard:	70831
Fan Motor:	810F050C20
Fan Motor Quantity:	2
Fan Switch 1:	84096-1
Fan Switch 2:	84096-1
Low Pressure Control:	84026-2
Receiver:	51082-1K
Shroud:	70648-2
Design Pressure Low:	181
Design Pressure High:	450
Family Condensing Unit:	Standard Air Cooled Unit
Fan Motor RLA:	7
Max. Fuse Size:	20
Min. Circuit Ampacity:	13.4

REFRIANDRADE  
[www.refriandrade.com.mx](http://www.refriandrade.com.mx)



# MAQUINA 1 1/4 HP TRIFASICA



## Product Description

<b>Application:</b>	LBP - Low Back Pressure
<b>Refrigerant:</b>	R-404A
<b>Voltage/Frequency:</b>	200-230V 3~ 60Hz

## Product Specifications

### Electrical

Locked Rotor Amps (LRA):	40.5
Rated Load Amps (RLA 60 Hz):	5.8

## Model: AWA2457ZXTXK

Compressor Bill of Material:	AW615RT-120-A2
Condenser:	50855-1
Contactora:	91014
Control Panel:	AC1460-26
Disconnect:	90102
Fan Blade:	51568-1
Fan Guard:	70831
Fan Motor:	810F050C20
Fan Motor Quantity:	2
Fan Switch 1:	84096-1
Fan Switch 2:	84096-1
Low Pressure Control:	84026-2
Receiver:	51082-1K
Shroud:	70648-2
Design Pressure Low:	181
Design Pressure High:	450
Family Condensing Unit:	Standard Air Cooled Unit
Fan Motor RLA:	.7
Max. Fuse Size:	15
Min. Circuit Ampacity:	8.9

REFRIANDRADE  
[www.refriandrade.com.mx](http://www.refriandrade.com.mx)



# MAQUINA 2 1/2 HP BIFASICA



## Product Description

<b>Application:</b>	LBP - Low Back Pressure
<b>Refrigerant:</b>	R-404A
<b>Voltage/Frequency:</b>	208-230V ~ 60Hz

## Product Specifications

### Electrical

Locked Rotor Amps (LRA):	86
Rated Load Amps (RLA 60 Hz):	12.6
Relay Type:	Potential Relay

## Model: AWA2490ZDXK

Compressor Bill of Material:	AW613ET-099-P2
Condenser:	50855-1
Contactora:	91014
Control Panel:	AC1460-27
Disconnect:	90102
Fan Blade:	51568-1
Fan Guard:	70831
Fan Motor:	810F050C20
Fan Motor Quantity:	2
Fan Switch 1:	84096-1
Fan Switch 2:	84096-1
Low Pressure Control:	84026-2
Receiver:	51082-1K
Shroud:	70648-2
Design Pressure Low:	181
Design Pressure High:	450
Family Condensing Unit:	Standard Air Cooled Unit
Fan Motor RLA:	7
Max. Fuse Size:	30
Min. Circuit Ampacity:	17.3

REFRIANDRADE  
[www.refriandrade.com.mx](http://www.refriandrade.com.mx)



# MAQUINA 2 1/2 HP TRIFASICA



## Product Description

<b>Application:</b>	LBP - Low Back Pressure
<b>Refrigerant:</b>	R-404A
<b>Voltage/Frequency:</b>	200 230V 3- 60Hz

## Product Specifications

### Electrical

Locked Rotor Amps (LRA):	63.4
Rated Load Amps (RLA 60 Hz):	0.3

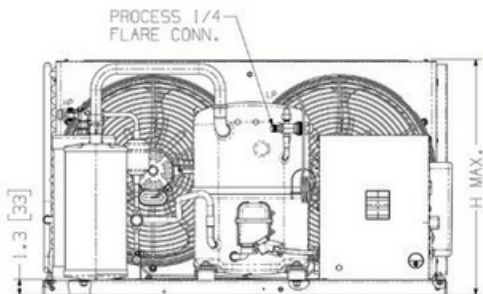
**Model: AWA2490ZXTXK**

Compressor Bill of Material:	AW613RT.120-P21
Condenser:	50855-1
Contactor:	91014
Control Panel:	AC1460-28
Disconnect:	90102
Fan Blade:	51568-1
Fan Guard:	70831
Fan Motor:	810F050C20
Fan Motor Quantity:	2
Fan Switch 1:	84096-1
Fan Switch 2:	84096-1
Low Pressure Control:	84026-2
Receiver:	51082-1K
Shroud:	70648-2
Design Pressure Low:	181
Design Pressure High:	450
Family Condensing Unit:	Standard Air Cooled Unit
Fan Motor RLA:	7
Max. Fuse Size:	20
Min. Circuit Ampacity:	12

**REFRIANDRADE**  
[www.refriandrade.com.mx](http://www.refriandrade.com.mx)



# MAQUINA 3 HP BIFASICA



## Product Description

Application:	LBP - Low Back Pressure
Refrigerant:	R-404A
Voltage/Frequency:	200-230V - 60 Hz

## Product Specifications

### Mechanical

Weight:	219
Weight Unit of Measure:	LB

### Electrical

Locked Rotor Amps (LRA):	106.6
Rated Load Amps (RLA 60 Hz):	16.3
Relay Type:	Potential Relay

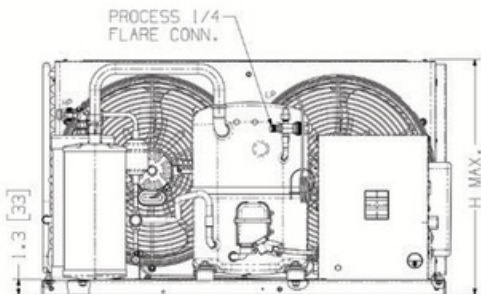
## Model: AVA2512ZXNXM

Accumulator:	TK00042000
Air Flow:	1698 Cubic Feet per Minute
Compressor Bill of Material:	AV 182ET-001-P2
Condenser:	50855-1
Contactors:	91014
Control Panel:	AC1390-10A
Disconnect:	90102
Fan Blade:	51533-3
Fan Guard:	70831
Fan Motor:	810F050C20
Fan Motor Quantity:	1
Fan Switch 1:	84096-1
Fan Switch 2:	84096-1
Low Pressure Control:	84026-2
Process Valve:	31583-1
Pump Down Capacity:	11.6 Pounds
Receiver:	51091-1
Receiver Valve:	31581-1
Shroud:	70648-2
Design Pressure Low:	181
Design Pressure High:	450
Family Condensing Unit:	Standard Air Cooled Unit
Fan Motor RLA:	.7
Max. Fuse Size:	35
Min. Circuit Ampacity:	22

REFRIANDRADE  
www.refriandrade.com.mx



# MAQUINA 3 HP BIFASICA



## Product Description

<b>Application:</b>	LDP - Low Back Pressure
<b>Refrigerant:</b>	R-404A
<b>Voltage/Frequency:</b>	200-230V 3~ 60Hz

## Product Specifications

### Mechanical

Weight:	205
Weight Unit of Measure:	LB

### Electrical

Locked Rotor Amps (LRA):	65.1
Rated Load Amps (RLA 60 Hz):	9.9

**Model: AVA2512ZXTXM**

Accumulator:	TK00042000
Compressor Bill of Material:	AV182RT-012-P21
Condenser:	50855-1
Contactora:	91014
Control Panel:	AC1390-10A
Disconnect:	90102
Fan Blade:	51533-3
Fan Guard:	70831
Fan Motor:	810F050C20
Fan Motor Quantity:	1
Fan Switch 1:	84096-1
Fan Switch 2:	84096-1
Low Pressure Control:	84026-2
Process Valve:	31583-1
Receiver:	51081-1
Receiver Valve:	31581-1
Shroud:	70648-2
Design Pressure Low:	181
Design Pressure High:	450
Family Condensing Unit:	Standard Air Cooled Unit
Fan Motor RLA:	7
Max. Fuse Size:	20
Min. Circuit Ampacity:	14

**REFRIANDRADE**  
www.refriandrade.com.mx



# MAQUINA 3 3/4 HP BIFASICA



## Product Description

Application:	LBP - Low Back Pressure
Refrigerant:	R-404A
Voltage/Frequency:	208-230V ~ 60Hz

## Product Specifications

### Electrical

Locked Rotor Amps (LRA):	120.3
Rated Load Amps (RLA 60 Hz):	20.8
Relay Type:	Potential Relay

## Model: AVA2515ZXNXX

Compressor Bill of Material:	AV180ET-001-P2
Condenser:	50858-1
Contactora:	91014
Control Panel:	AC1460-29
Disconnect:	90102
Fan Blade:	51568-1
Fan Guard:	70831
Fan Motor:	810F050C20
Fan Motor Quantity:	2
Fan Switch 1:	84096-1
Fan Switch 2:	84096-1
Low Pressure Control:	84026-2
Receiver:	51082-1K
Shroud:	70648-2
Design Pressure Low:	181
Design Pressure High:	450
Family Condensing Unit:	Standard Air Cooled Unit
Fan Motor RLA:	.7
Max. Fuse Size:	45
Min. Circuit Ampacity:	27.7

REFRIANDRADE  
www.refriandrade.com.mx



# MAQUINA 3 3/4 HP TRIFASICA



**Tecumseh**



## Product Description

<b>Application:</b>	LBP - Low Back Pressure
<b>Refrigerant:</b>	R-404A
<b>Voltage/Frequency:</b>	200-230V 3~ 60Hz

## Product Specifications

### Electrical

Locked Rotor Amps (LRA):	65.1
Rated Load Amps (RLA 60 Hz):	11

## Model: AVA2515ZXTXK

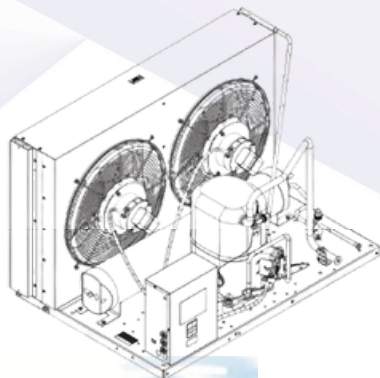
Compressor Bill of Material:	AV180RT-012-P2
Condenser:	50858-1
Contactora:	91014
Control Panel:	AC1460-30
Disconnect:	90102
Fan Blade:	51568-1
Fan Guard:	70831
Fan Motor:	810F050C20
Fan Motor Quantity:	2
Fan Switch 1:	84096-1
Fan Switch 2:	84096-1
Low Pressure Control:	84026-2
Receiver:	51082-1K
Shroud:	70648-2
Design Pressure Low:	181
Design Pressure High:	450
Family Condensing Unit:	Standard Air Cooled Unit
Fan Motor RLA:	.7
Max. Fuse Size:	25
Min. Circuit Ampacity:	15.3

REFRIANDRADE

[www.refriandrade.com.mx](http://www.refriandrade.com.mx)



# MAQUINA 5 HP BIFASICA



## Product Description

<b>Application:</b>	CBP - Commercial Back Pressure
<b>Refrigerant:</b>	R-404A
<b>Voltage/Frequency:</b>	208-230V ~ 60Hz

## Product Specifications

### Electrical

Locked Rotor Amps (LRA):	179
Rated Load Amps (RLA 60 Hz):	39.8
Relay Type:	Potential Relay

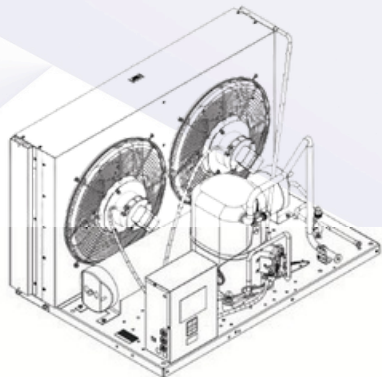
## Model: AGA9539ZXNvXC

Compressor Bill of Material:	AG144FT-002-A2
Condenser:	50777-6
Contactora:	91013
Control Panel:	AC1460-23
Disconnect:	90102
Fan Blade:	51528-3
Fan Guard:	70832
Fan Motor:	810S186B40
Fan Motor Quantity:	2
Fan Switch 1:	84096-1
Fan Switch 2:	84096-1
Low Pressure Control:	84026-2
Receiver:	51083
Shroud:	70611-1
Design Pressure Low:	181
Design Pressure High:	450
Family Condensing Unit:	Standard Air Cooled Unit
Fan Motor RLA:	1.9
Max. Fuse Size:	90
Min. Circuit Ampacity:	53.8

REFRIANDRADE  
[www.refriandrade.com.mx](http://www.refriandrade.com.mx)



# MAQUINA 5 HP BIFASICA



## Product Description

<b>Application:</b>	CBP - Commercial Back Pressure
<b>Refrigerant:</b>	R-404A
<b>Voltage/Frequency:</b>	200-230V 3- 60Hz

## Product Specifications

### Electrical

Locked Rotor Amps (LRA):	135
Rated Load Amps (RLA 60 Hz)	22.9

**Model: AGA9539ZTXC**

Compressor Bill of Material	AG144ST-001-P21
Condenser:	50777-6
Contactora:	91014
Control Panel:	AC1460-24
Disconnect:	90102
Fan Blade:	51528-3
Fan Guard:	70832
Fan Motor:	810S186B40
Fan Motor Quantity:	2
Fan Switch 1:	84096-1
Fan Switch 2:	84096-1
Low Pressure Control:	84026-2
Receiver:	51083
Shroud:	70611-1
Design Pressure Low:	181
Design Pressure High:	450
Family Condensing Unit:	Standard Cooled Unit
Fan Motor RLA:	1.9
Max. Fuse Size:	50
Min. Circuit Ampacity:	32.6

**REFRIANDRADE**  
www.refriandrade.com.mx



## Datos de contacto para equipo y materias primas



Calle Acacia #121, Col. Las Flores,  
Ciudad Nezahualcoyotl. Estado  
de México C.P. 57310

### Sucursal Tocumbo

Portal Javier Mina #1 Col. Centro  
Tocumbo , Michoacán. C.P. 59980

## Para productos de paletería y nevería

Calle 33 No. 52. Col. Valentín Gómez Farías.  
Delegación Venustiano Carranza Ciudad  
de México, C.P 15010

## Para productos lácteos

### Sucursal Tula

Jacarandas S/NCol. Nueva Santa María  
Tula de Allende,Hidalgo. C.P. 42840

# Contacto

**Solicita una cotización y te daremos respuesta inmediata:**

[ventas@refriandrade.com.mx](mailto:ventas@refriandrade.com.mx)



**+52 55 3436 5020**

**Somos el proveedor líder de equipo y materias primas, con más de 15 años de experiencia ayudando a crecer a nuestros socios comerciales.**

**REFRIANDRADE**  
[www.refriandrade.com.mx](http://www.refriandrade.com.mx)

